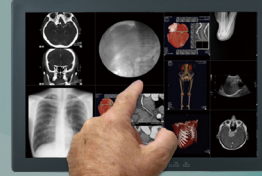


## ST2121x-TP



21.5" Color Touch Display



***Clinically Focused, Advanced,  
Easy to Experience***

Optik View Touch Panel Displays are designed for the rigors of clinical environments and near patient use. Known for their reliable operation, these HD color capacitive touch displays are ideally suited for User Interface, device control and review functions.



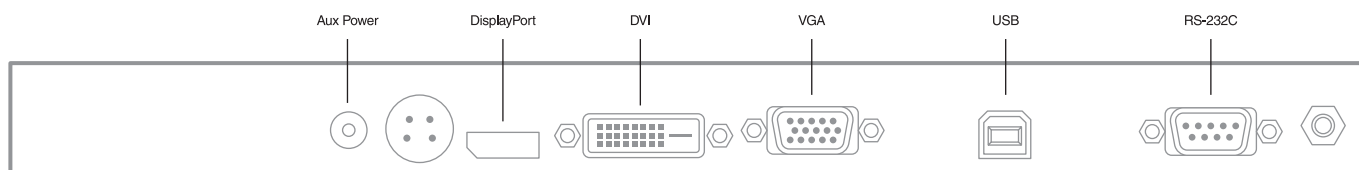
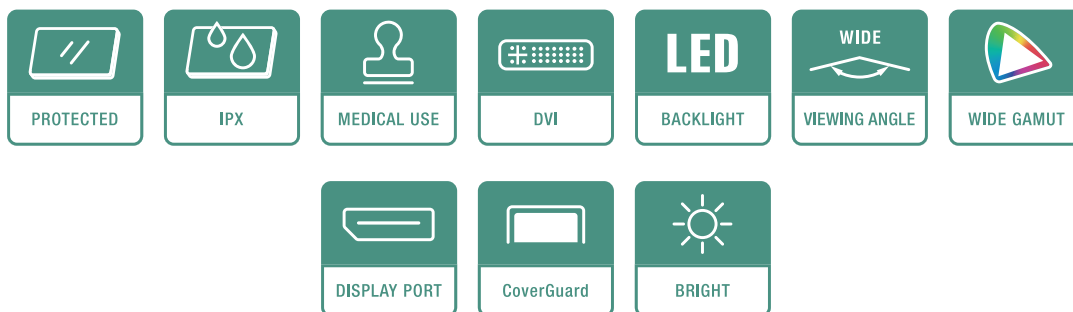
CIRRO  
MEDICAL SYSTEMS

# ST2121x-TP | 21.5" Color Touch Display

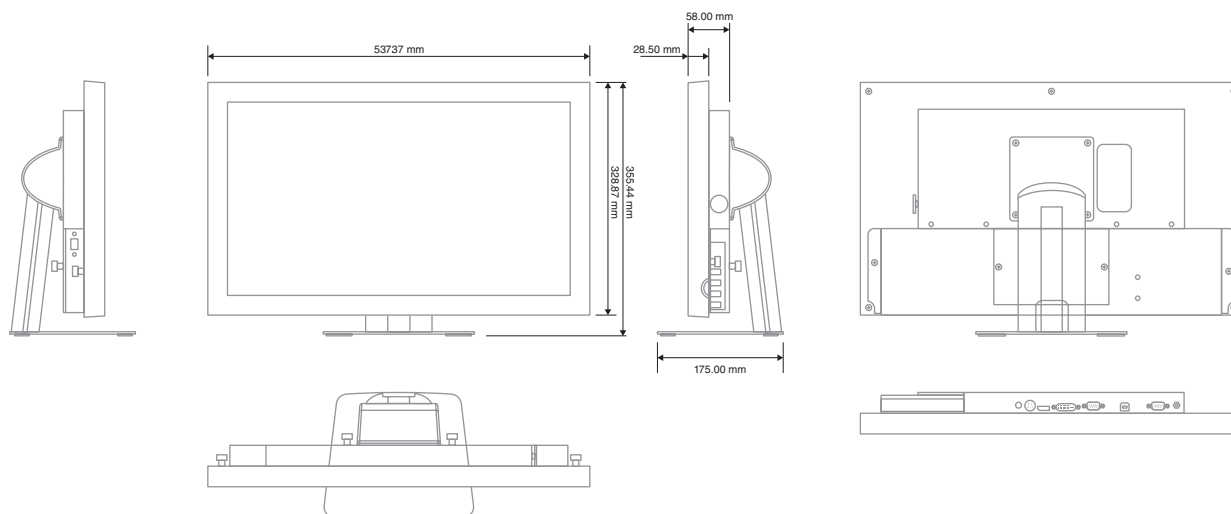


The ST2121x-TP is a 21.5" P-CAP Display designed to fit the needs of today's surgical suite and interventional lab environments. Featuring a Full HD (1920x1080) and True Flat viewing area, the ST2121x-TP delivers excellent UI visualization. This mid-size display offers an excellent balance between viewable surface and desk top footprint.

Designed for near patient use, the ST2121x-TP features essential surgical ready attributes; IP rated, fan free, suspension arm mounting, and cable cover. When used in the surgical field, the ST2121x-TP functions beneath a sterile drape or surgical gloves. The ST2121x-TP is rugged, easy to integrate and simplifies installation.



*Optik View displays have the connections you need. All major inputs are accepted via the back side connection panel.*





## SPECIFICATIONS

ID Type		True Flat (White)
Panel spec	Type Resolution Active Screen Size(inch) Display Area(mm) Pixel Pitch(mm) Viewing Angel(degree) Response Time(ms) Brightness(nits) Contrast Ratio Color Display Colors(bits)	IPS 1600(H)x1200(V) 21.3 432(H) x 324(V) 0.27(H)x0.7(V) 178 (H)/178 (V) 15(on/off) 420(typ.) 1500:1(typ.) Color 8
I/O Interface	Input Terminal Service Interface USB Hub	DVI-D/DP/VGA USB x1 upstream & x2 downstream
Features	OSD Languages Calibrated Brightness Gamma Selection Color Temperature Front Sensor Auto Luminance Stabilization Backlight sensor Presence Sensor Ambient Sensor Uniformity Compensation Gamma LUT Table (bits)	English/Spanish/French/German/Simple Chinese/Japan 240nits DICOM/Calibration/1.8/2.0/2.2/2.4 Neutral-6500K/Warm-5400K/Cool-9300K/User Yes Yes NA Yes Yes Yes Yes 10
Power Requirements	Power Supply Power Consumption(W)	AC 100V~240V <50(Off<5)
Physical Characteristics	Protection Shield Dimensions (WxHxD) (mm) Weight (Kg) Tilt Range (degree) Swivel Range (degree) Height Adjustable (mm) Pivort Rotation (degree) Mounting (mm)	NA 473.0x599.5x270.0(w/ Stand) 10.7 (w/ Stand) -5~+20 +/- 70 50 0 & 90 100x100
Operating Temperature (°C)		10 ~ 40
Certifications and Compliances		cTUVus(ANSI/AAMI ES 60601-1, CAN/CSA C22.2No. 60601-1),CB(60950/60601),CE,FCC ClassB part 15 CCC,VCCI, BSMI

\*\*Specification are subject to change without notice.